

# ROSSO TLS Series

PURE SINEWAVE PROTECTION FOR IT LOADS

600VA ~ 2000VA

Thanks to its pure sinewave output, The **ROSSO TLS Series** is the best choice for small sensitive IT loads with PWM technology



## Features



- Pure sinewave output
- Increases servers power supply life span
- Integrated voltage regulator (AVR) for sags, spikes, under and over voltages
- Cold start to switch on the UPS without mains
- Wide input voltage and frequency range, for a longer battery life
- Easy battery replacement
- Automatic battery test
- Smart battery management system enhancing battery life
- Monitoring Software (Emily) with event-data log, to protect your PC by shutdown
- USB connection port and RJ45 surge protection for telephone lines

## Options



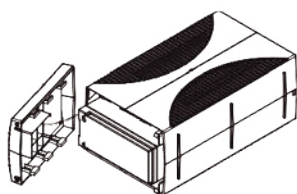
- Communication cable
- RS232 Port

## What's in the Box

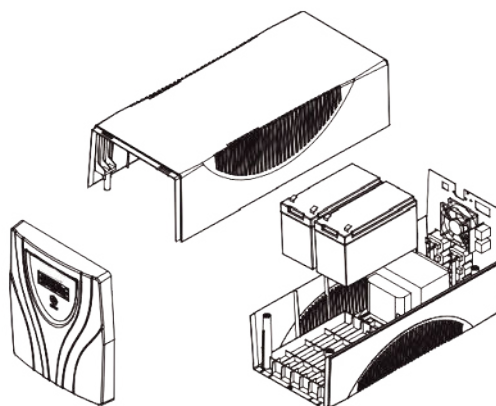


- Input power cable

## Easy Battery Replacement



ROS-TLS 600-800



ROS-TLS 1000-2000

# Specifications

MODEL		TLS600 LCD	TLS 800 LCD	TLS1000 LCD	TLS1500 LCD	TLS2000 LCD
INPUT	Voltage Range	160Vac~290Vac				
	Frequency Range	45~65Hz (Auto sensing)				
	Phase	Single Phase				
OUTPUT	Capacity	420W	560W	700W	1050W	1400W
	Output Voltage (Battery mode)	220/230/240Vac ±10%				
	Frequency Range (Battery mode)	50/60Hz ±1Hz				
	Transfer Time	2-6ms (typical)				
	Output Waveform	SineWave				
PHYSICAL	Dimension (WxHxD, mm)	116 x 170 x 309		165 x 198 x 393		
	Net Weight (kg)	4	5.5	9.3	12.4	12.6
BATTERY	Type & Number	12V/7Ah x 1	12V/9Ah x 1	12V/7Ah x 2	12V/Ah x 2	12V/9Ah x 2
	Recharge Time (to90%)	4~6 hours				
DISPLAY	LCD	AC mode, AVR mode, battery mode, battery level, load level, input voltage, output voltage, fault and battery weak				
ALARM	Audible or Visual	Battery mode/ battery low/ overload/ system fault				
PROTECTION	Full protection	Overload, short circuit, discharge, overcharge and R1/RJ-45 surge protection				
FUNCTION	DC Start	Yes				
	Plug-in charging	Yes				
ENVIRONMENT	Operation Temperature	0~40°C				
	Operation humidity	0%~90% (without condensing)				
	Altitude	1000m without derating				
	Noise Level	δ 40dB		δ 45dB		
INTERFACE	Interface	USB (optional RS232)				
	Compatible platforms	Microsoft Windows series, Linux, Mac				
STANDARDS & CERTIFICATIONS	Safety & EMC	IEC EN 62040-1, IEC EN 62040-2				
	Performance	IEC EN 62040-3				
	Marks	CE				

BACK PANELS	<div style="display: flex; justify-content: space-around;"> <div style="text-align: center;"> <p><b>ROS-TLS 600 / 800</b></p> </div> <div style="text-align: center;"> <p><b>ROS-TLS 1000 / 1500 / 2000</b></p> </div> </div>
	<p>1. AC Input 2. Fuse 3. IEC outputs 4. USB Port (RS-232 optional) 5. RJ45/RJ11 (Modem/LAN Internet Protection) 6. Fan (only TLS 1500/2000)</p>