

ROSSO TL Series

THE POWER OF EXPERIENCE

550VA ~ 2000VA

Based on more than 20 years of experience in line-interactive technology, The **ROSSO TL Series** combines the most up-to-date technologies and the highest reliability of the market



Features



- Line-interactive simulated sinewave UPS
- Up to 6 IEC C-13 10A outlets
- Integrated Voltage Regulator (AVR) for sags, spikes, under and over voltages
- Cold start to switch on the UPS without mains
- Wide input voltage and frequency range, for a longer battery life
- Easy battery replacement
- Plug-in charging - UPS charging battery even when turned off
- Automatic battery test and smart battery management system to enhance battery life
- Downloadable monitoring Software (Emily) with event-data log. To protect your PC by shutdown no need for to
- USB connection port and RJ45 surge protection for telephone lines

Options



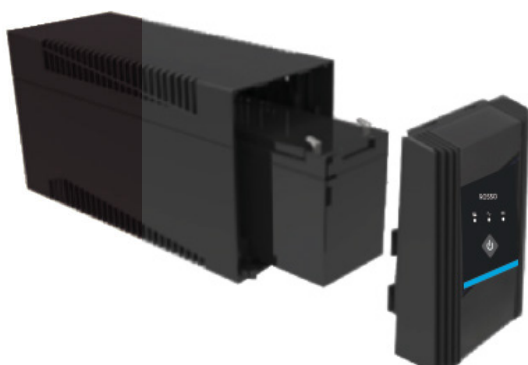
- Communication cable
- RS232 Port

What's in the Box



- Input power cable

Easy Battery Replacement



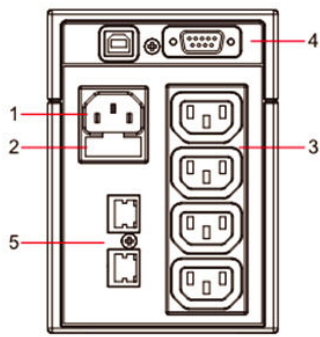
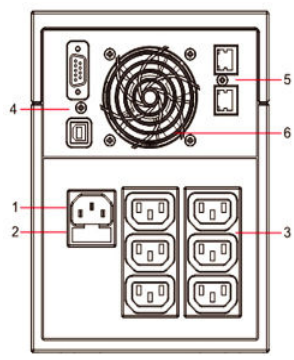
ROS-TL 550-850



ROS-TL 1000-1500-2000

Specifications

MODEL		TL550 LCD	TL650 LCD	TL850 LCD	TL1000 LCD	TL1500 LCD	TL2000 LCD
INPUT	Voltage Range	160Vac~290Vac					
	Frequency Range	45~65Hz (Auto sensing)					
	Phase	Single Phase					
OUTPUT	Capacity	250W	380W	500W	600W	900W	1200W
	Output Voltage (Battery mode)	220/230/240Vac ±10%					
	Frequency Range (Battery mode)	50/60Hz ±1Hz					
	Transfer Time	2-6ms (typical)					
	Output Waveform	Simulated SineWave					
PHYSICAL	Dimension (WxHxD, mm)	100 x 140 x 292			148 x 198 x 315		
	Net Weight (kg)	4	5	5.5	9	10.5	11.8
BATTERY	Type & Number	12V/5Ah x 1	12V/7Ah x 1	12V/9Ah x 1	12V/7Ah x 2	12V/7Ah x 2	12V/9Ah x 2
	Recharge Time (to90%)	4~6 hours					
DISPLAY	LCD	AC mode, AVR mode, battery mode, battery level, load level, input voltage, output voltage, fault and battery weak					
ALARM	Audible or Visual	Battery mode/ battery low/ overload/ system fault					
PROTECTION	Full protection	Overload, short circuit, discharge, overcharge and RI1/RJ-45 surge protection					
FUNCTION	DC Start	Yes					
	Plug-in charging	Yes					
ENVIRONMENT	Operation Temperature	0~40°C					
	Operation humidity	0%~90% (without condensing)					
	Altitude	1000m without derating					
	Noise Level	δ 40dB					
INTERFACE	Interface	USB (optional RS232)					
	Compatible platforms	Microsoft Windows series, Linux, Mac					
STANDARDS & CERTIFICATIONS	Safety & EMC	IEC EN 62040-1, IEC EN 62040-2					
	Performance	IEC EN 62040-3					
	Marks	CE					

BACK PANELS	<p style="text-align: center;">ROS-TL 550 / 650 / 850</p> 	<p style="text-align: center;">ROS-TL 1000 / 1500 / 2000</p> 
	<p>1. AC Input 2. Fuse 3. IEC outputs 4. USB Port (RS-232 optional) 5. RJ45/RJ11 (Modem/LAN Internet Protection) 6. Fan (only TL1000/1500/2000)</p>	